



High flow rate flow meters for medical gases
Flussometri di alta portata per gas medicinali

2020



CE 0051

High flow rate flow meters for medical gases Flussometri di alta portata per gas medicinali

2020

High flow rate flowmeter for medical gases projected in accordance with ISO **15002**. The device is suitable to connect the terminal units of the medical gas distribution systems, especially for applications requiring high flows, and it allows a quick and precise gas supply.

The body is made of chemical nickel plated brass and the calibrated tube is in polycarbonate.

The flowmeter is provided complete with the probe, available according to the following standards:

- **UNI 9507**
- **B55682**
- **AFNOR NF 590-116**
- **DIN 13260-2**
- **SS 875 24 30**

Flussometro di alta portata per gas medicinali realizzato ai sensi della norma **ISO 15002**.

Il dispositivo è idoneo per il collegamento alle unità terminali degli impianti di distribuzione gas medicinali, in particolare per applicazioni richiedenti alti flussi, e permette una rapida e precisa erogazione del gas.

Il corpo è realizzato in ottone nichelato chimicamente e il tubo di misura in polycarbonato.

Il flussometro viene fornito completo di innesto, disponibile in conformità alle seguenti norme:

- **UNI 9507**
- **B55682**
- **AFNOR NF 590-116**
- **DIN 13260-2**
- **SS 875 24 30**

High flow rate flow meters for medical gases 2020

Technical data

SUITABLE FOR THE FOLLOWING GASES: O₂, Air

MAX INLET PRESSURE: 5 bar

INLET CONNECTION STANDARDS:

- UNI 9507
- B55682
- AFNOR NF 590-116
- DIN 13260-2
- SS 875 24 30

OUTLET CONNECTIONS:

- G 1/4" M
- HOSE CONNECTION Ø6
- 9/16 UNF

AVAILABLE MODELS:

- High flow rate single flowmeter
- High flow rate double flowmeter

FLOW RATE: 0-40 L/min

OPERATING TEMPERATURE: 0 ÷ +40 °C

STORAGE TEMPERATURE: -20 ÷ +60 °C

MAX WEIGHT: 0,45 Kg (single flowmeters); 0,90 Kg (double flowmeters)

STANDARDS: ISO 15001; ISO 15002

Degreased in accordance to ISO 15001

PRODUCT CODES

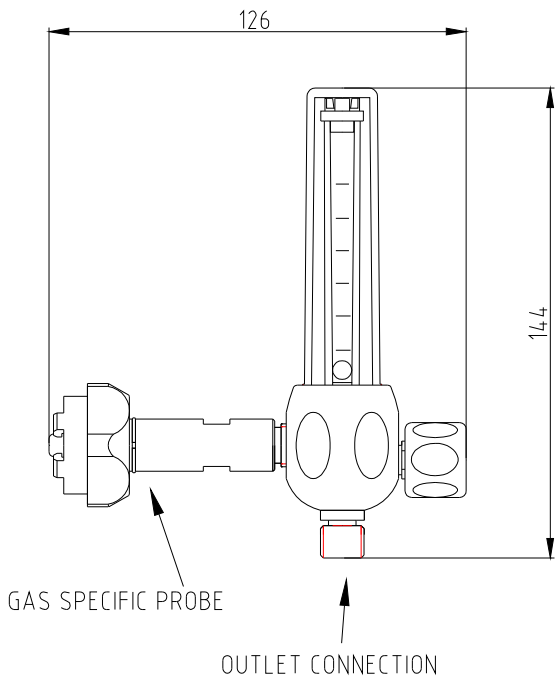
HIGH FLOW RATE SINGLE FLOWMETERS

11694A-2020	O ₂ FLOWMETER 40L/MIN G1/4 M-PTG HI FLOW AFNOR NF S 90-116
11694B-2020	O ₂ FLOWMETER 40L/MIN G1/4 M-PTG HI FLOW BS5682
11694D-2020	O ₂ FLOWMETER 40L/MIN G1/4 M-PTG HI FLOW DIN 13 260-2
11694S-2020	O ₂ FLOWMETER 40L/MIN G1/4M-PTG HI FLOW SS 875 24 30
11694U-2020	O ₂ FLOWMETER 40L/MIN G1/4 M-PTG HI FLOW UNI9507
11693A-2020	O ₂ FLOWMETER 40L/MIN 9/16 HI FLOW AFNOR NF S 90-116
11693B-2020	O ₂ FLOWMETER 40L/MIN 9/16 HI FLOW BS5682
11693D-2020	O ₂ FLOWMETER 40L/MIN 9/16 HI FLOW DIN 13 260-2
11693S-2020	O ₂ FLOWMETER 40L/MIN 9/16 HI FLOW SS 875 24 30
11693U-2020	O ₂ FLOWMETER 40L/MIN 9/16 HI FLOW UNI9507
11709A-2020	AIR FLOWMETER 40L/MIN G1/4 M-PTG HI FLOW AFNOR NF S 90-116
11709B-2020	AIR FLOWMETER 40L/MIN G1/4 M-PTG HI FLOW BS5682
11709D-2020	AIR FLOWMETER 40L/MIN G1/4 M-PTG HI FLOW DIN 13 260-2
11709S-2020	AIR FLOWMETER 40L/MIN G1/4 M-PTG HI FLOW SS 875 24 30
11709U-2020	AIR FLOWMETER 40L/MIN G1/4 M-PTG HI FLOW UNI9507

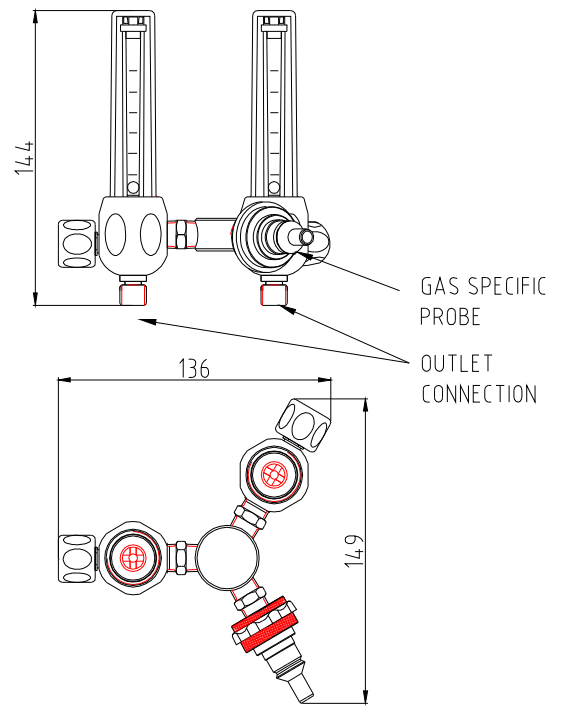
HIGH FLOW RATE DOUBLE FLOWMETERS

11707A-2020	DOUBLE FLOWMETER O ₂ 40L/MIN G1/4 M-PTG HI FLOW AFNOR NF S 90-116
11707B-2020	DOUBLE FLOWMETER O ₂ 40L/MIN G1/4 M-PTG HI FLOW BS5682
11707D-2020	DOUBLE FLOWMETER O ₂ 40L/MIN G1/4 M-PTG HI FLOW DIN 13 260-2
11707S-2020	DOUBLE FLOWMETER O ₂ 40L/MIN G1/4 M-PTG HI FLOW SS 875 24 30
11707U-2020	DOUBLE FLOWMETER O ₂ 40L/MIN G1/4 M-PTG HI FLOW UNI9507
11708A-2020	DOUBLE FLOWMETER O ₂ 40L/MIN 9/16 HI FLOW AFNOR NF S 90-116
11708B-2020	DOUBLE FLOWMETER O ₂ 40L/MIN 9/16 HI FLOW BS5682
11708D-2020	DOUBLE FLOWMETER O ₂ 40L/MIN 9/16 HI FLOW DIN 13 260-2
11708S-2020	DOUBLE FLOWMETER O ₂ 40L/MIN 9/16 HI FLOW SS 875 24 30
11708U-2020	DOUBLE FLOWMETER O ₂ 40L/MIN 9/16 HI FLOW UNI9507
11710A-2020	DOUBLE FLOWMETER AIR 40L/MIN G1/4 M-PTG HI FLOW AFNOR NF S 90-116
11710B-2020	DOUBLE FLOWMETER AIR 40L/MIN G1/4 M-PTG HI FLOW BS5682
11710D-2020	DOUBLE FLOWMETER AIR 40L/MIN G1/4 M-PTG HI FLOW DIN 13 260-2
11710S-2020	DOUBLE FLOWMETER AIR 40L/MIN G1/4 M-PTG HI FLOW SS 875 24 30
11710U-2020	DOUBLE FLOWMETER AIR 40L/MIN G1/4 M-PTG HI FLOW UNI9507

Hi flow rate single flowmeter



Hi flow rate double flowmeter



Connection between humidifier and flowmeter

